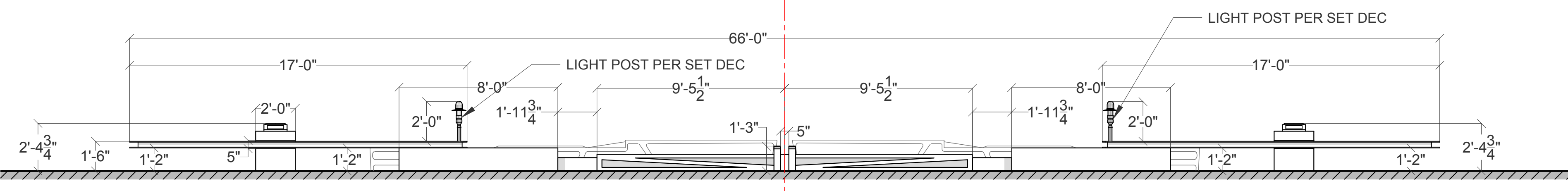
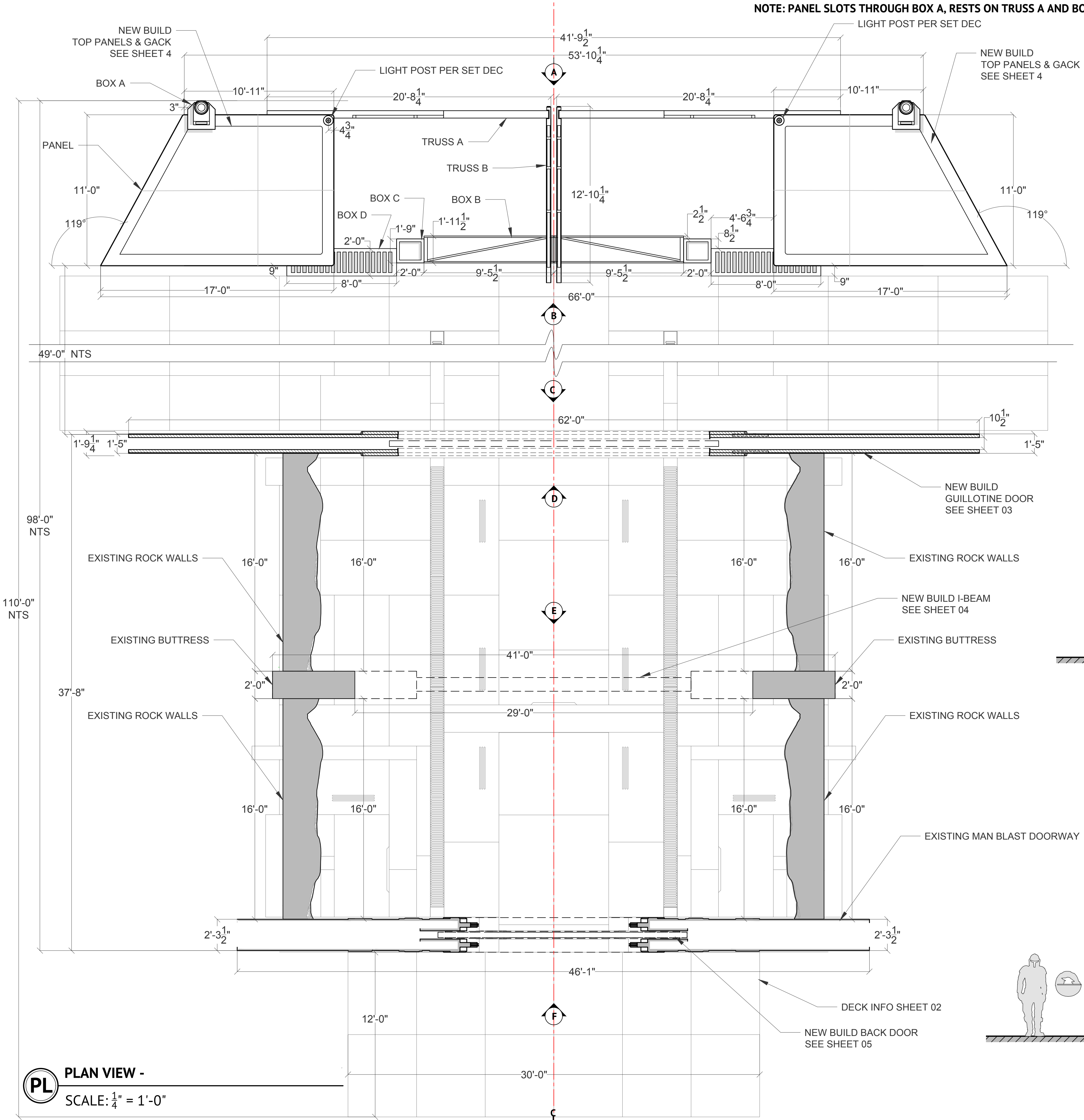


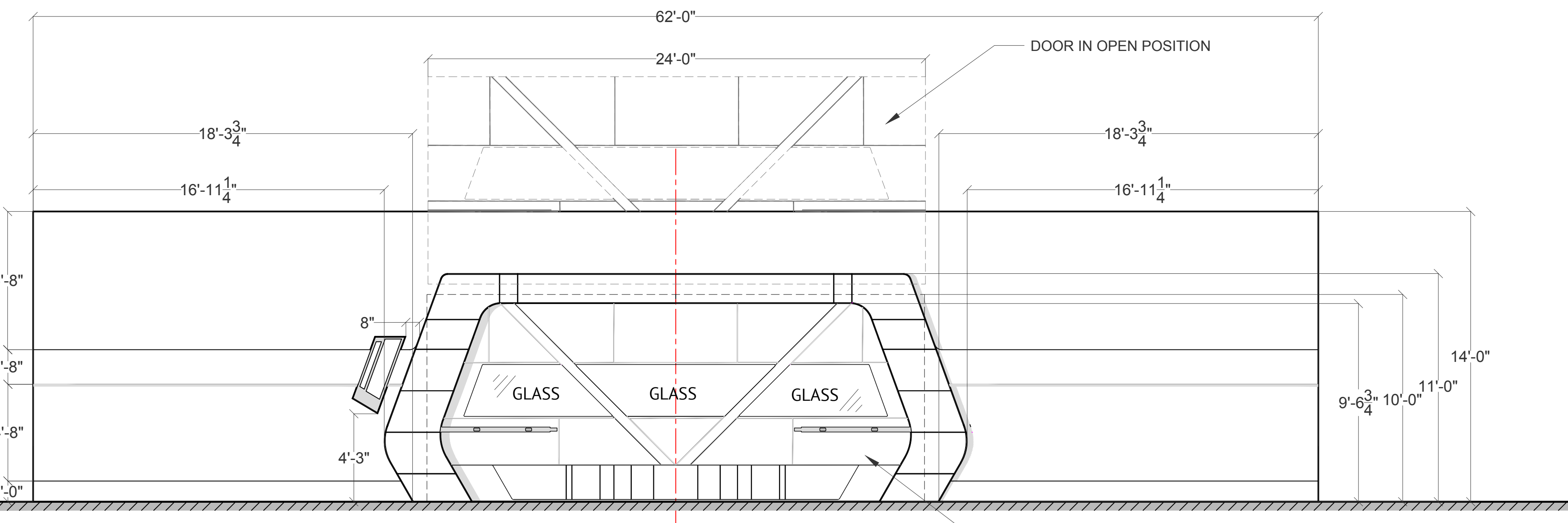
A ELEVATION (NEW BUILD)
SCALE: 1/4" = 1'-0"



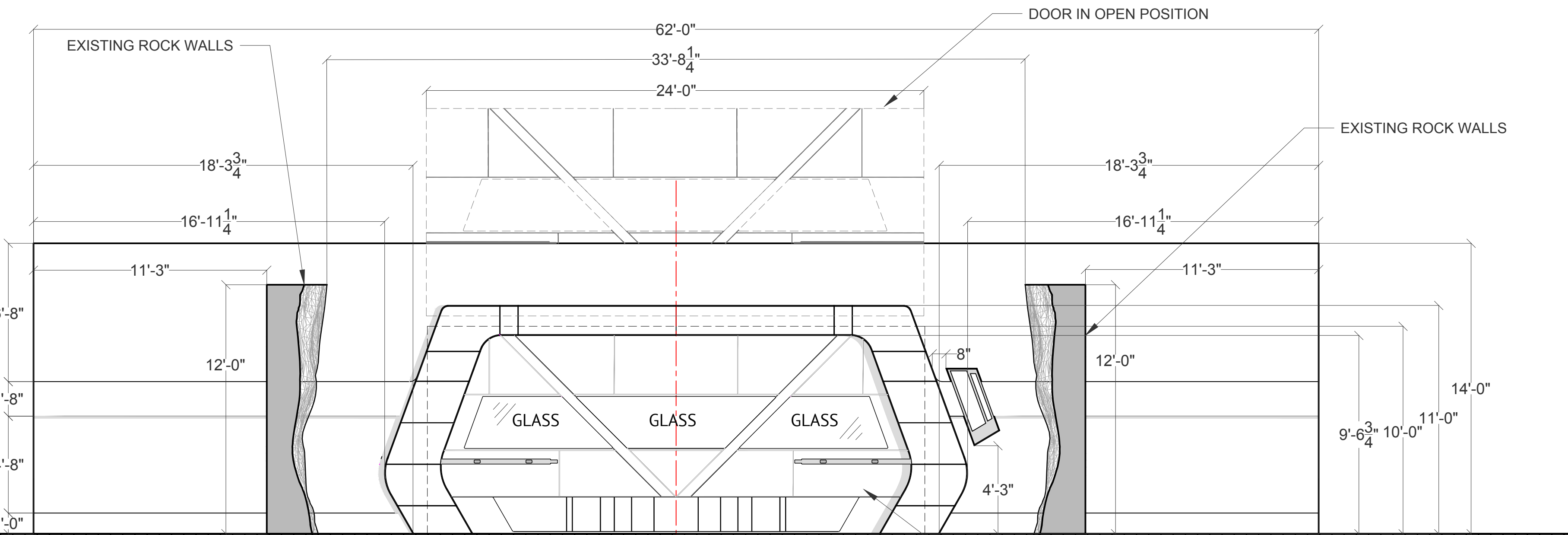
B ELEVATION (NEW BUILD)
SCALE: 1/4" = 1'-0"



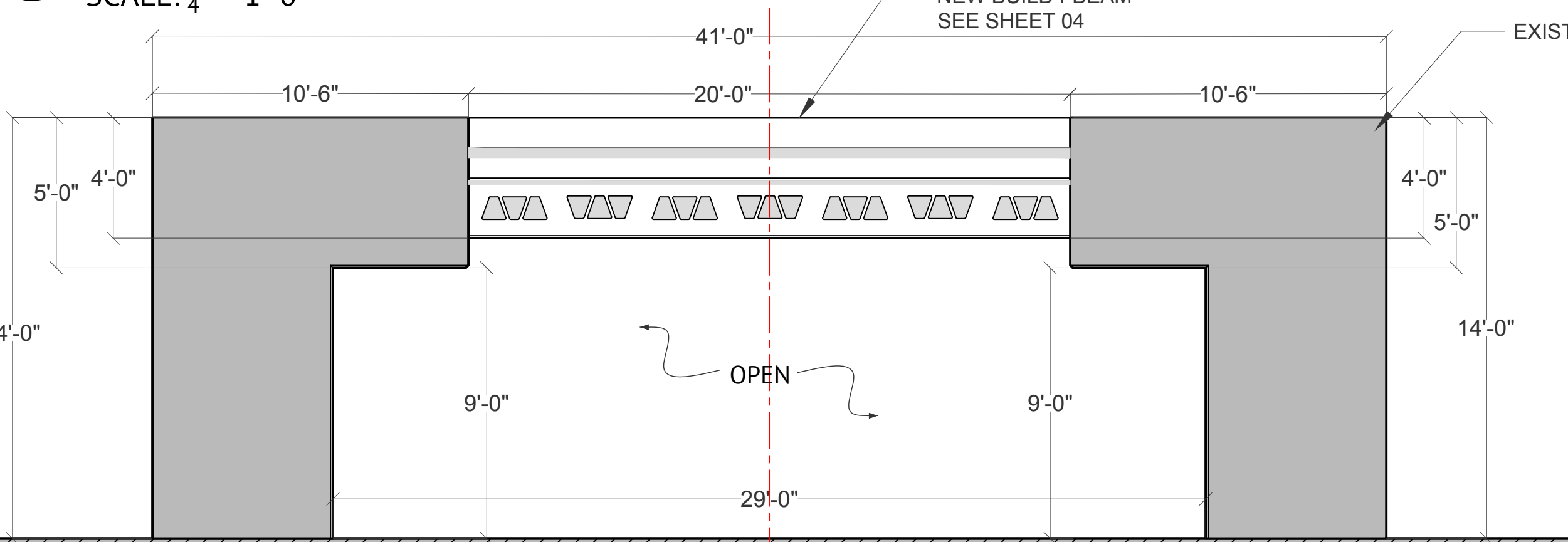
PL PLAN VIEW -
SCALE: 1/4" = 1'-0"



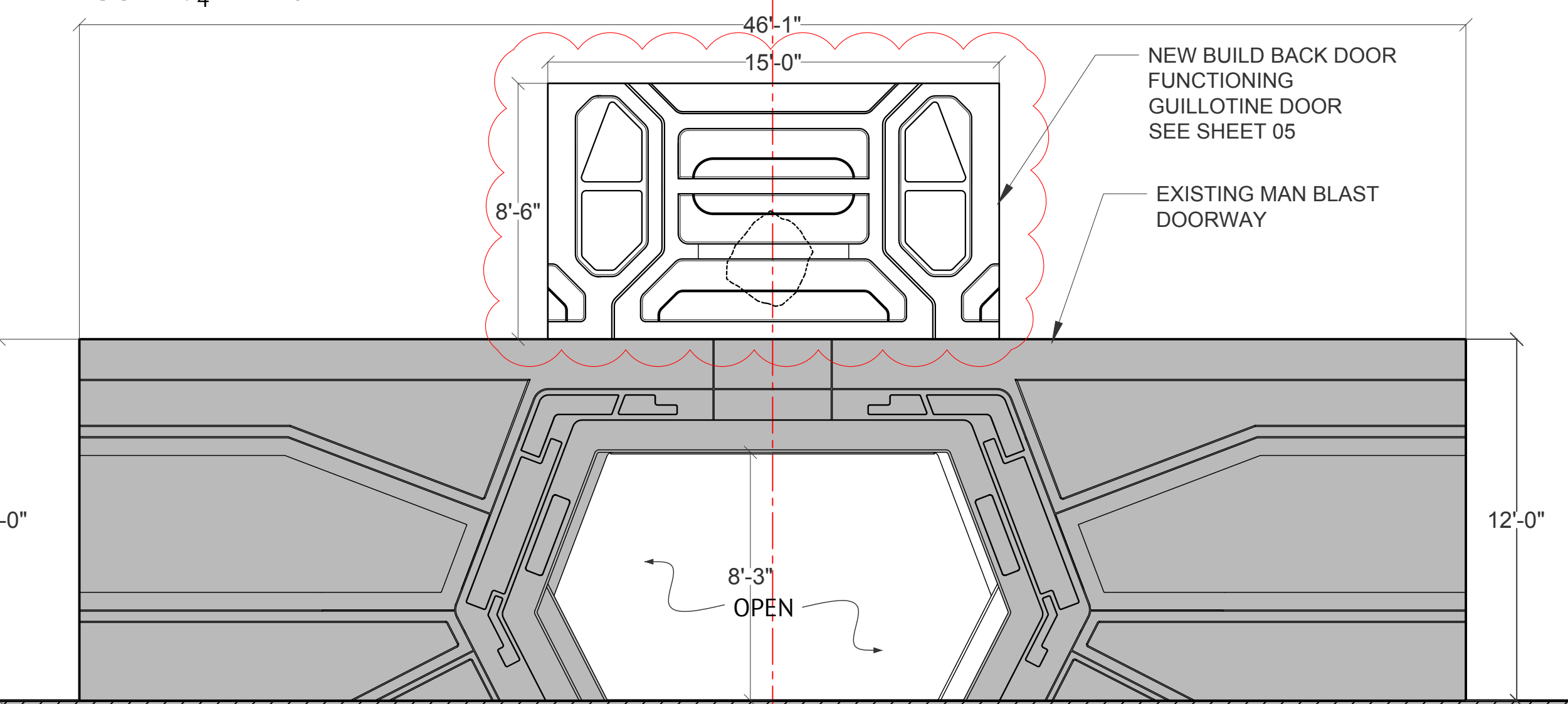
C ELEVATION (NEW BUILD)
SCALE: 1/4" = 1'-0"



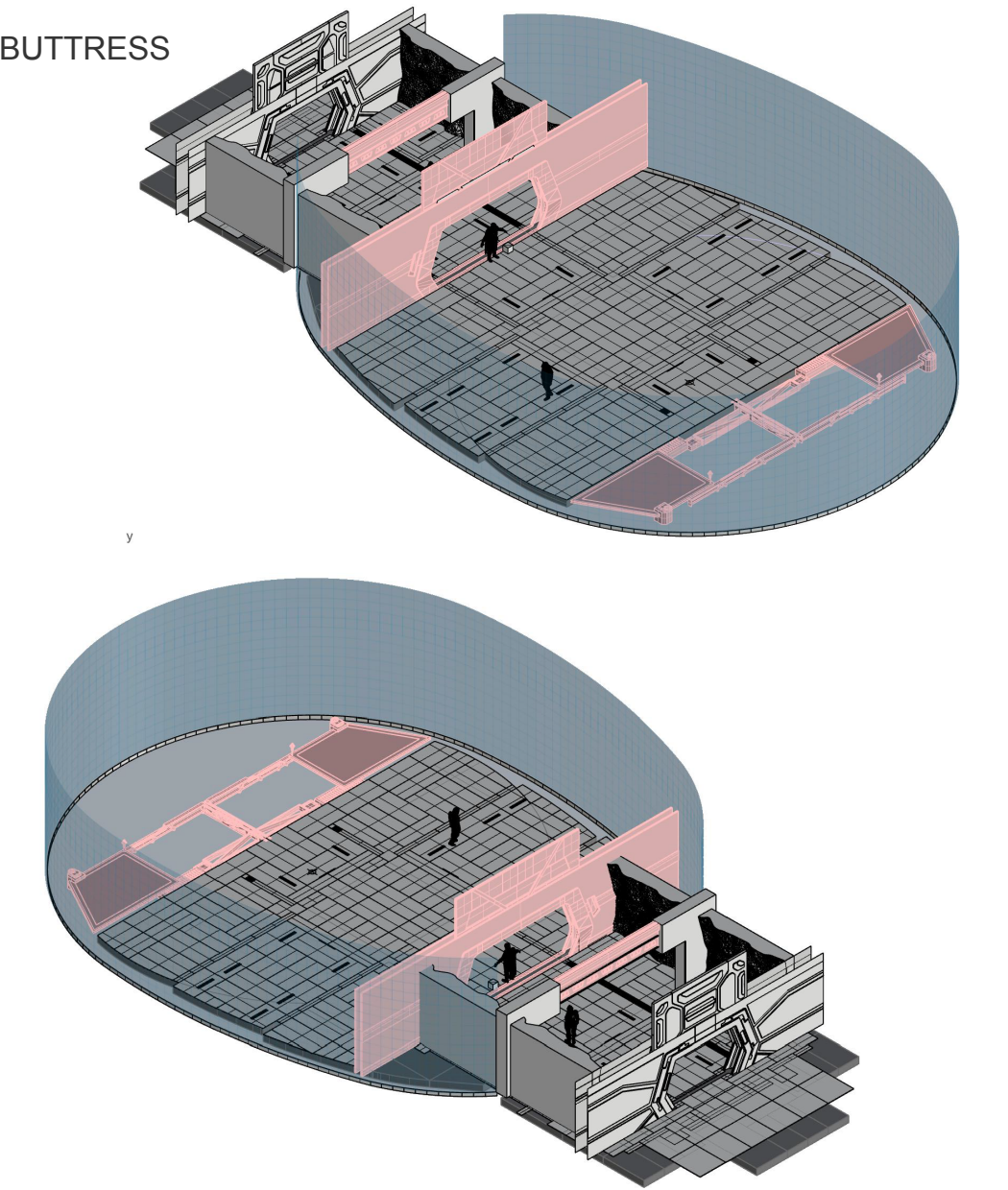
D ELEVATION (NEW BUILD & STOCK SCENERY)
SCALE: 1/4" = 1'-0"



E ELEVATION (NEW BUILD & STOCK SCENERY)
SCALE: 1/4" = 1'-0"



F ELEVATION (STOCK SCENERY)
SCALE: 1/4" = 1'-0"



NOTE: x2 PRACTICAL GUILLOTINE DOORS

NOTE: SET PIECES INDICATED BY GRAY FROM PREVIOUS SETS. DISCUSS WITH ART DIRECTOR

NOTE: FINISHES PER ART DIRECTOR.

REVISION: ELEVATION F DOOR UPDATED