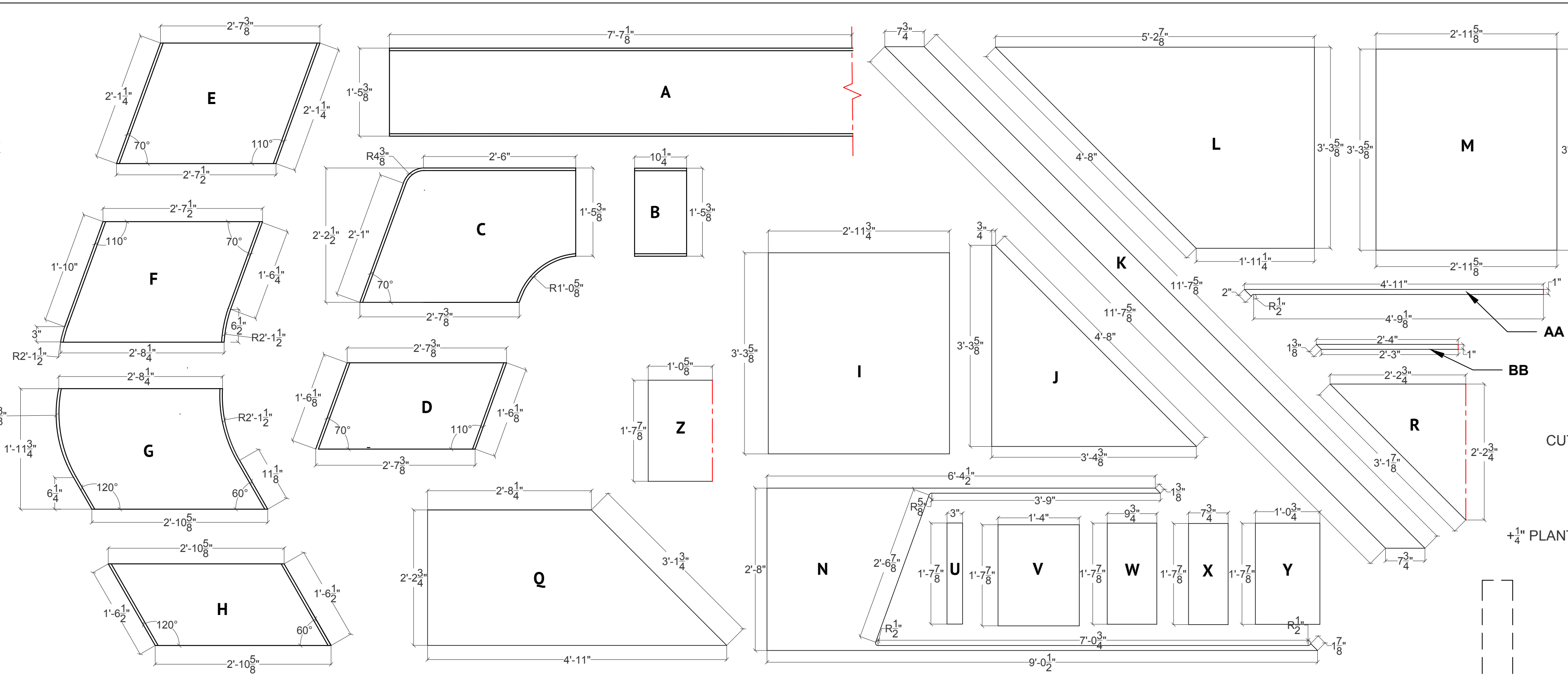


D1 03 **DETAIL 01 - RECESSED PANEL**
SCALE: 1 1/2" = 1'-0"



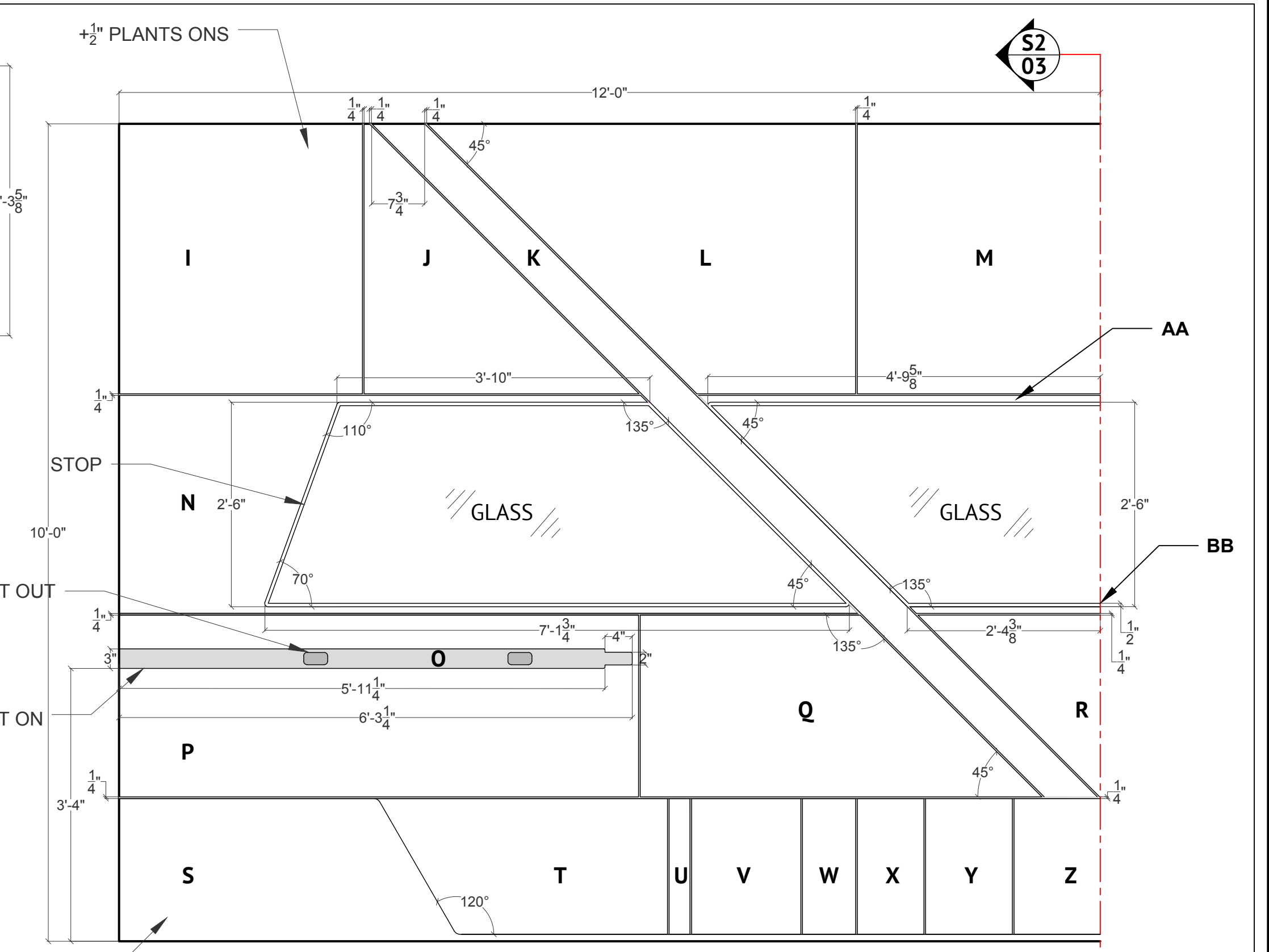
DOOR FRAME PANELS
SCALE: 3/4" = 1'-0"

DOOR PANELS
SCALE: 3/4" = 1'-0"

NOTE: DOOR FRAME PANELS ARE 1/2" THICK
EDGES AROUND FRAME CHAMFERED 3/8" TO MEET DOOR FRAME

NOTE: DOOR PANELS ARE 1/2" THICK
UNLESS NOTED

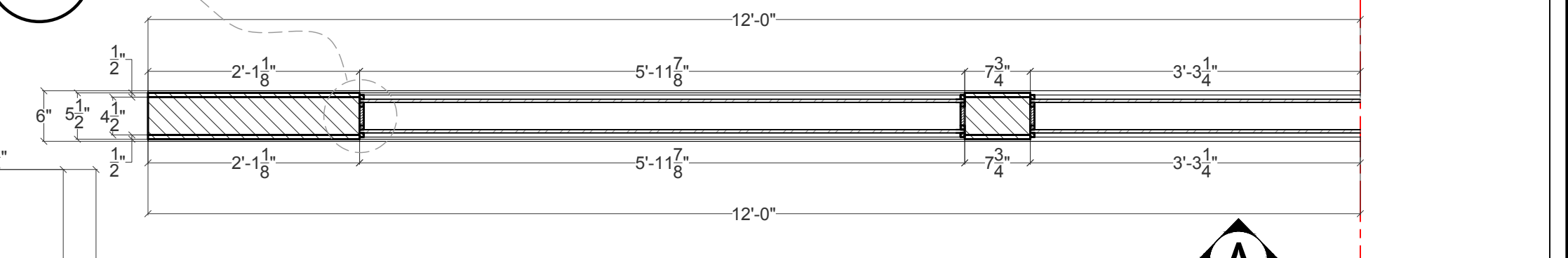
NOTE: PRACTICAL GUILLOTINE DOOR. RIG AS TYP.



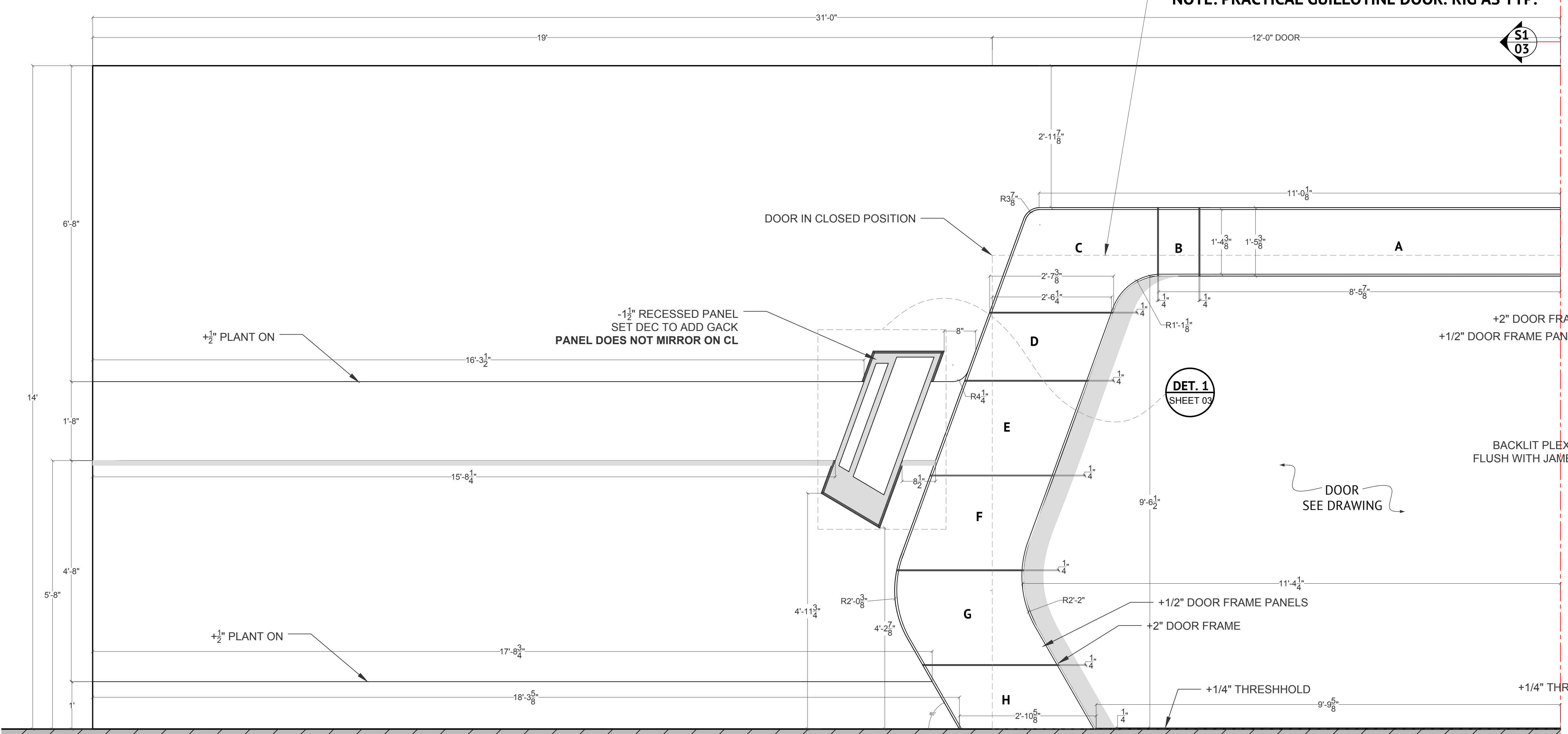
A **ELEVATION - DOOR**
SCALE: 3/4" = 1'-0"

NOTE: DOOR MIRRORS ON CL AND FRONT TO BACK

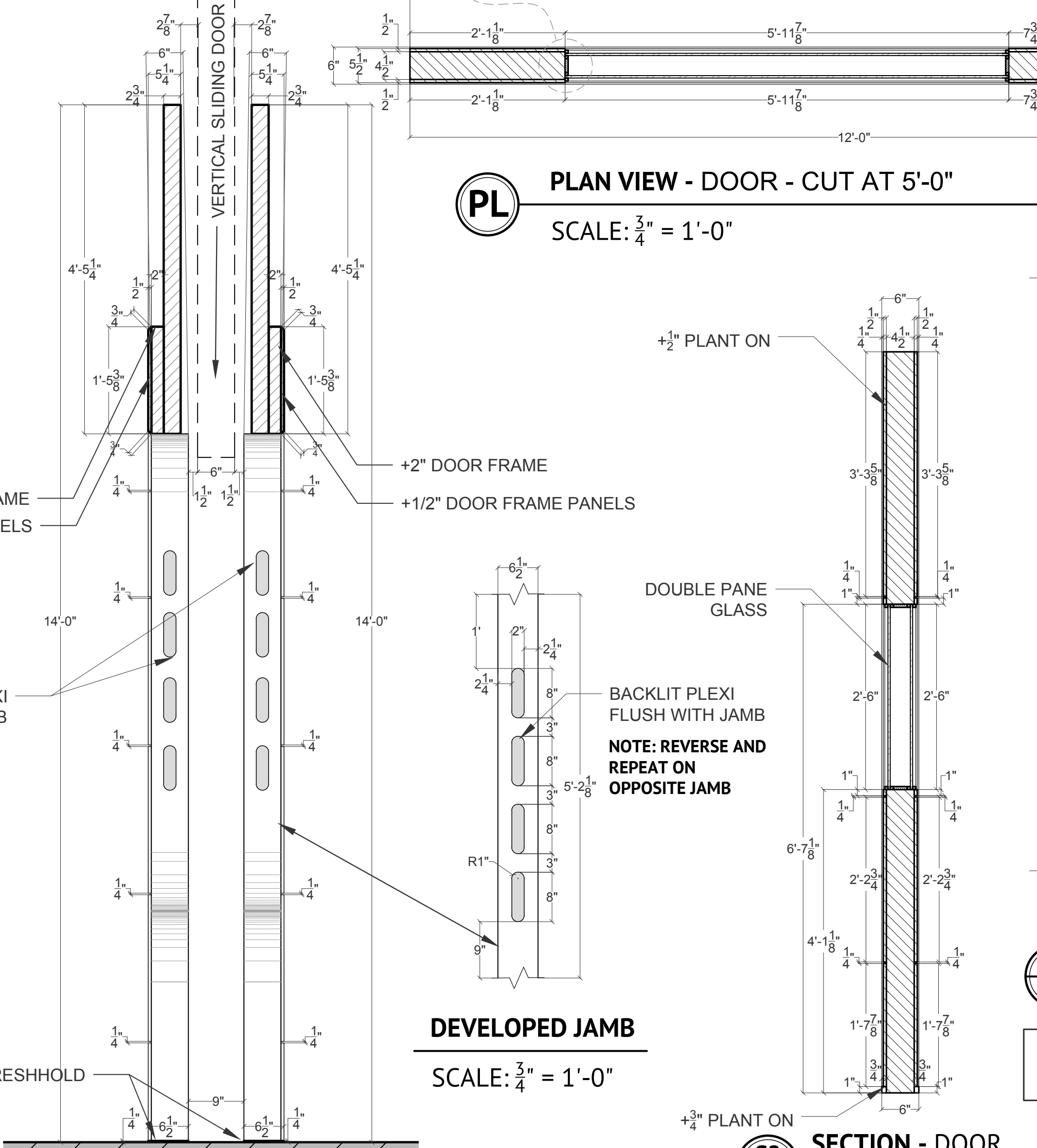
DET. 2
SHEET 03



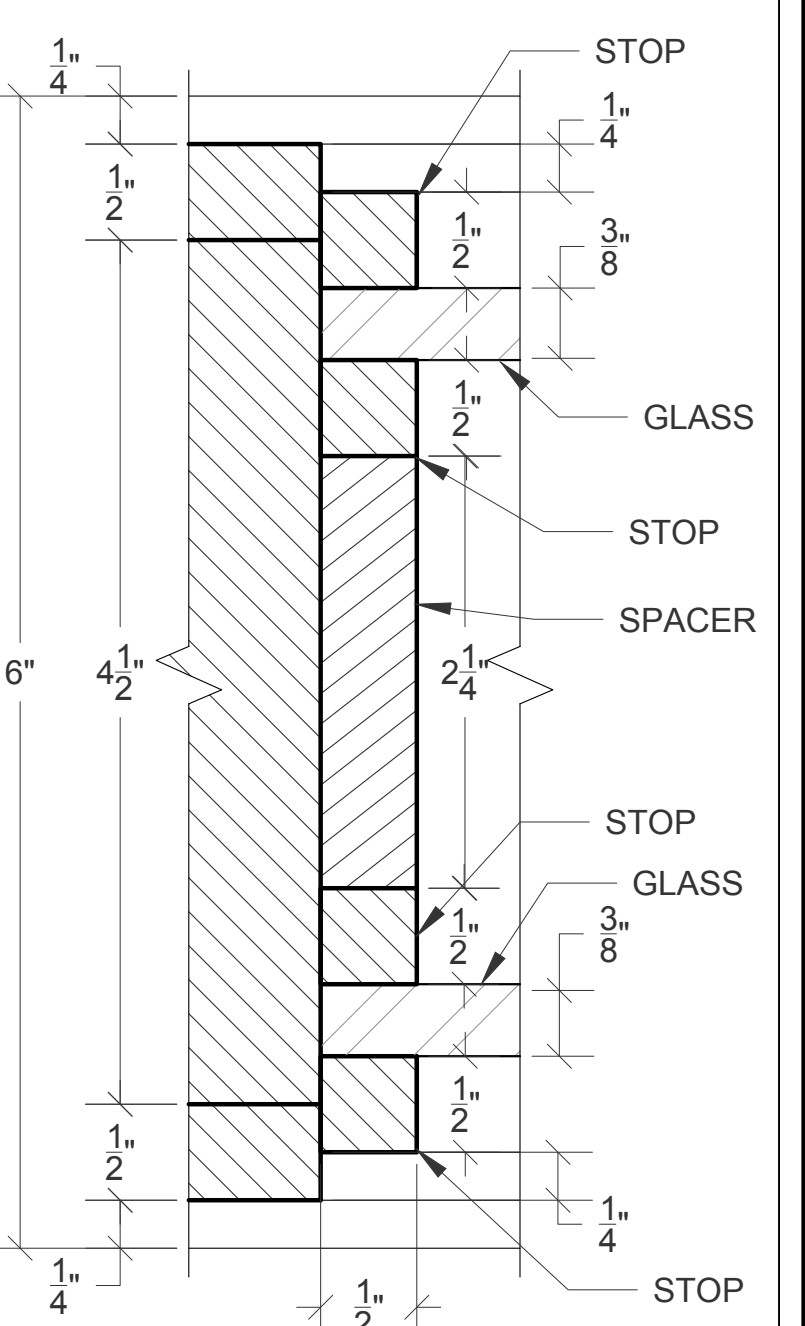
PL **PLAN VIEW - DOOR - CUT AT 5'-0"**
SCALE: 3/4" = 1'-0"



A **ELEVATION - DOORWAY**
SCALE: 3/4" = 1'-0"

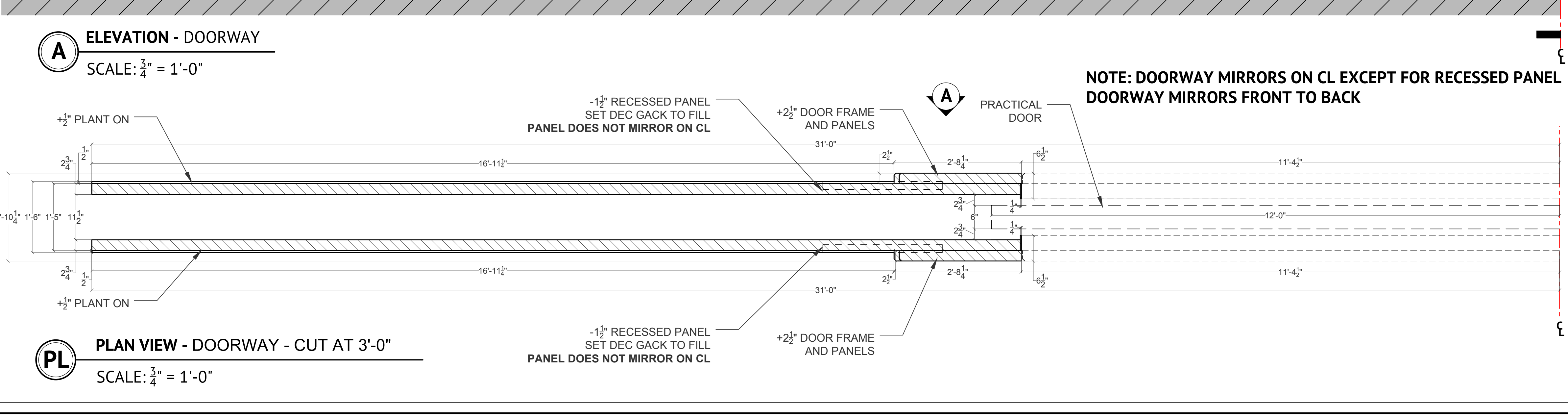


S1 03 **SECTION - DOORWAY**
SCALE: 3/4" = 1'-0"

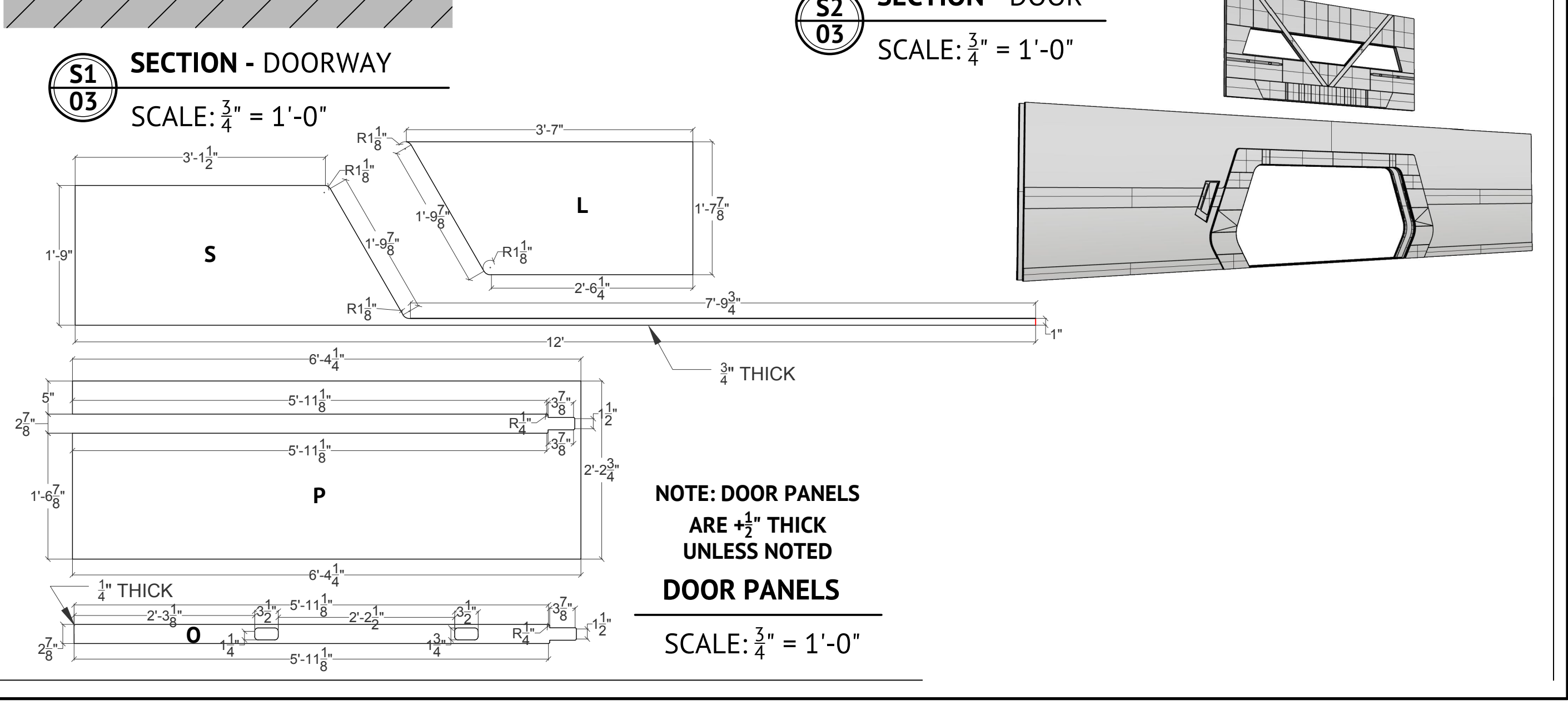


D2 03 **DETAIL 02 - DOOR GLASS**
SCALE: FULL

NOTE: FINISHES PER ART DIRECTOR.



PL **PLAN VIEW - DOORWAY - CUT AT 3'-0"**
SCALE: 3/4" = 1'-0"



S2 03 **SECTION - DOORWAY**
SCALE: 3/4" = 1'-0"

NOTE: DOOR PANELS ARE 1/2" THICK UNLESS NOTED