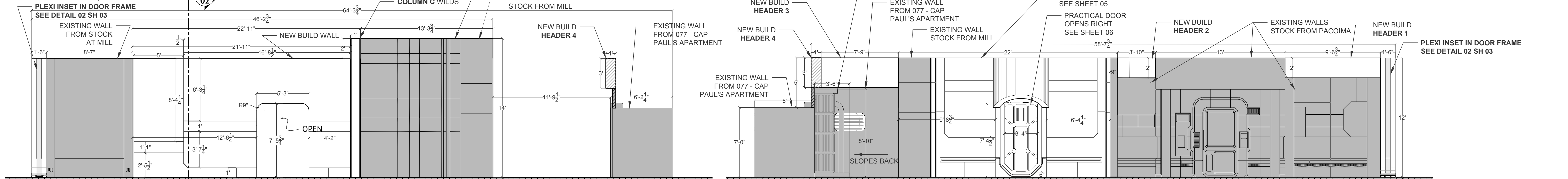
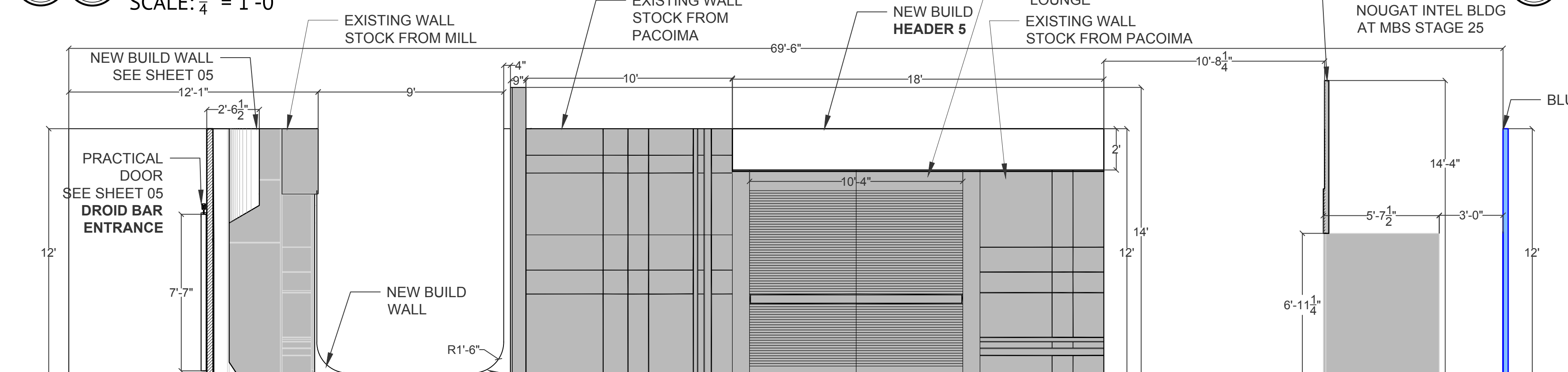


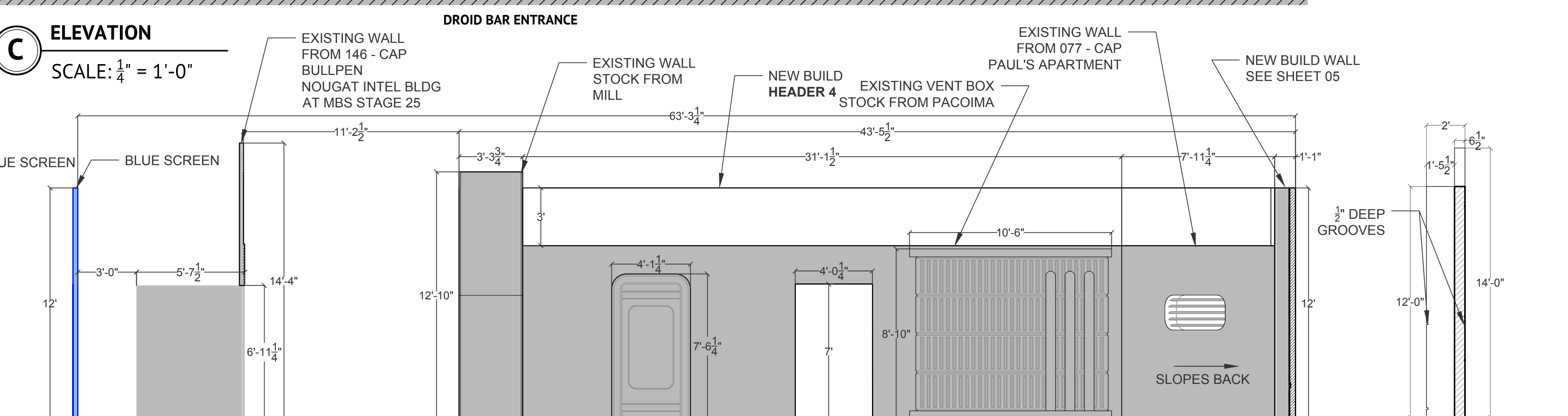
A A ELEVATION
SCALE: 1/4" = 1'-0"



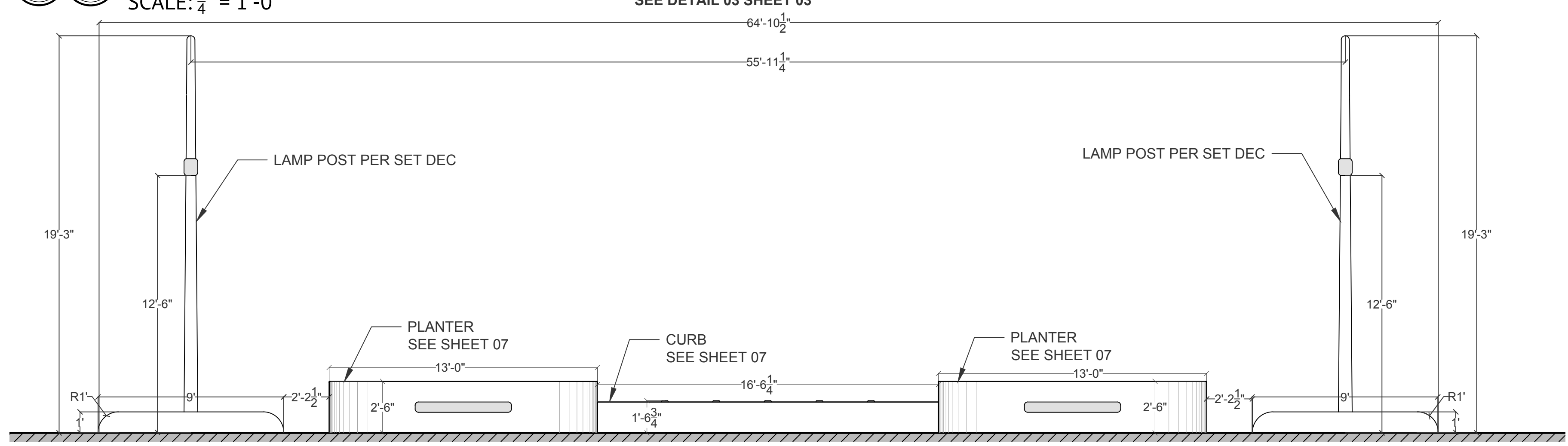
B B ELEVATION
SCALE: 1/4" = 1'-0"



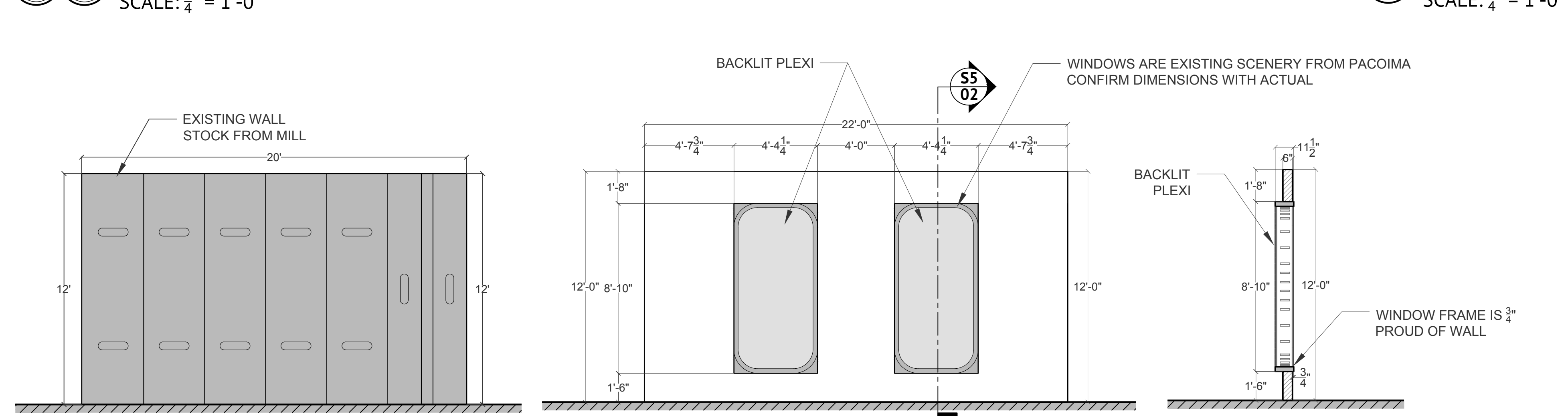
D D ELEVATION
SCALE: 1/4" = 1'-0"



E E ELEVATION
SCALE: 1/4" = 1'-0"



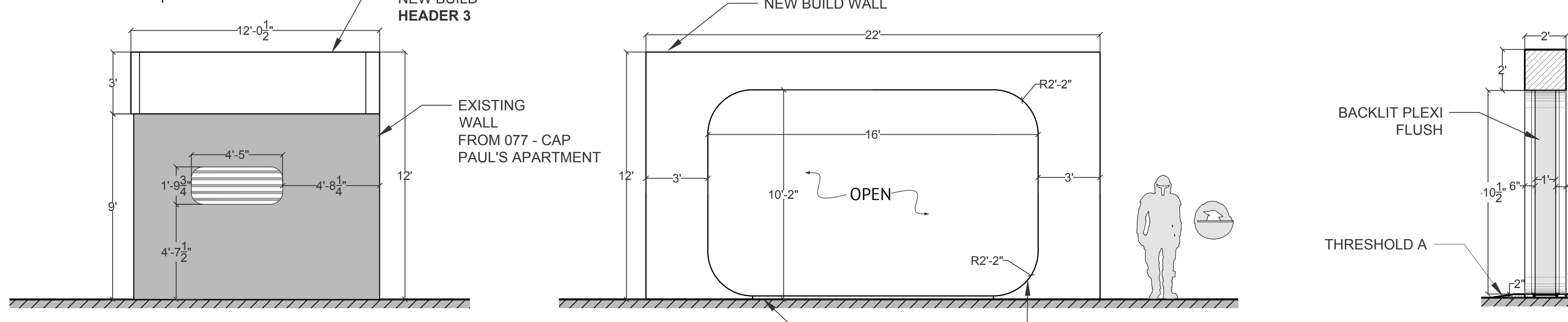
F F ELEVATION
SCALE: 1/4" = 1'-0"



H H ELEVATION
SCALE: 1/4" = 1'-0"

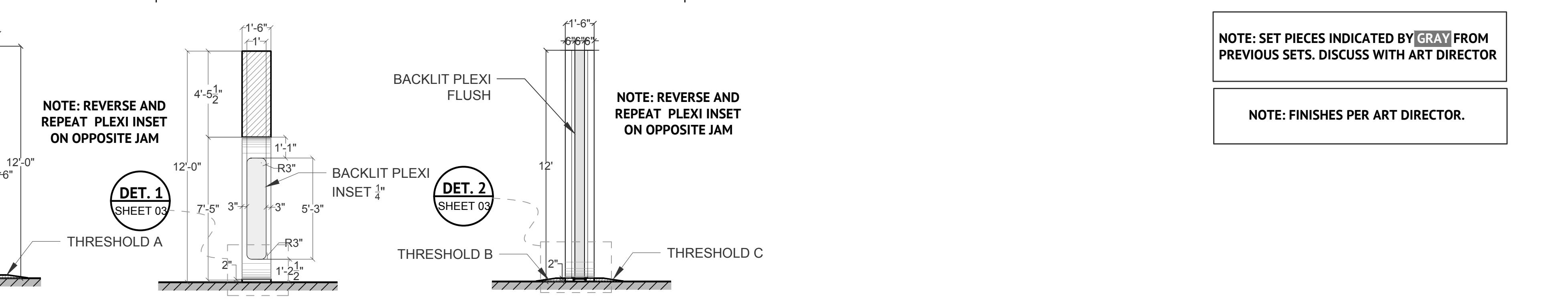
I I ELEVATION
SCALE: 1/4" = 1'-0"

S5 02 SECTION 5
SCALE: 1/4" = 1'-0"



Q Q ELEVATION
SCALE: 1/4" = 1'-0"

G G ELEVATION
SCALE: 1/4" = 1'-0"



S1 00 SECTION 1
SCALE: 1/4" = 1'-0"

S2 00 SECTION 2
SCALE: 1/4" = 1'-0"

S3 00 SECTION 3
SCALE: 1/4" = 1'-0"

NOTE: SET PIECES INDICATED BY GRAY FROM PREVIOUS SETS. DISCUSS WITH ART DIRECTOR.

NOTE: FINISHES PER ART DIRECTOR.